

MOTOROLA

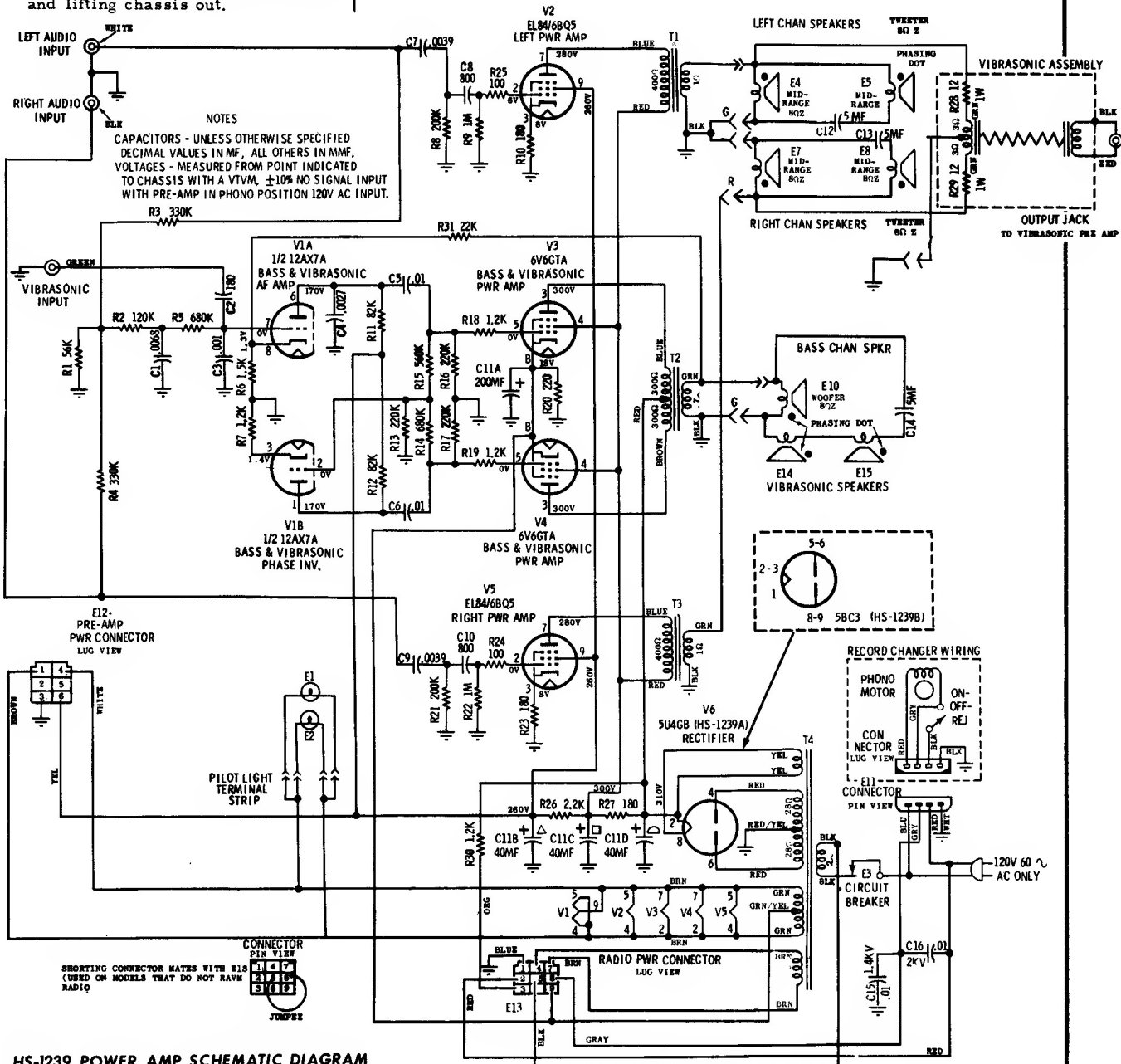
MODELS SK145,163,SKR145,163

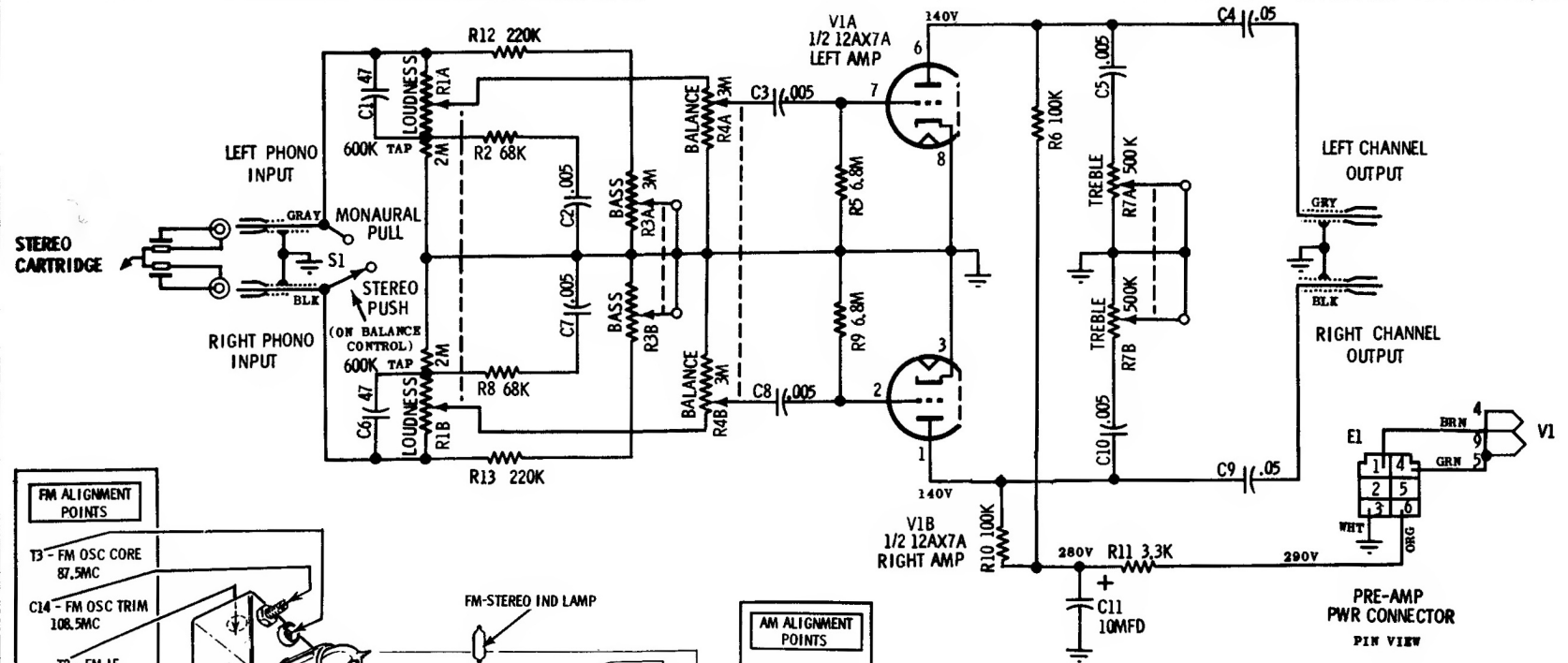
CHASSIS HS-1185,1186,1239

CHASSIS REMOVAL

1. Remove back cover by removing screws and pulling cover back to disengage inter-lock plug.
2. Remove record storage compartment by removing screw in bracket at bottom of storage compartment. Compress top edges of compartment to remove it.
3. Disconnect cables, remove chassis mounting screws and lift chassis out. Power amp chassis can be removed by removing screws holding chassis to cabinet bottom and lifting chassis out.

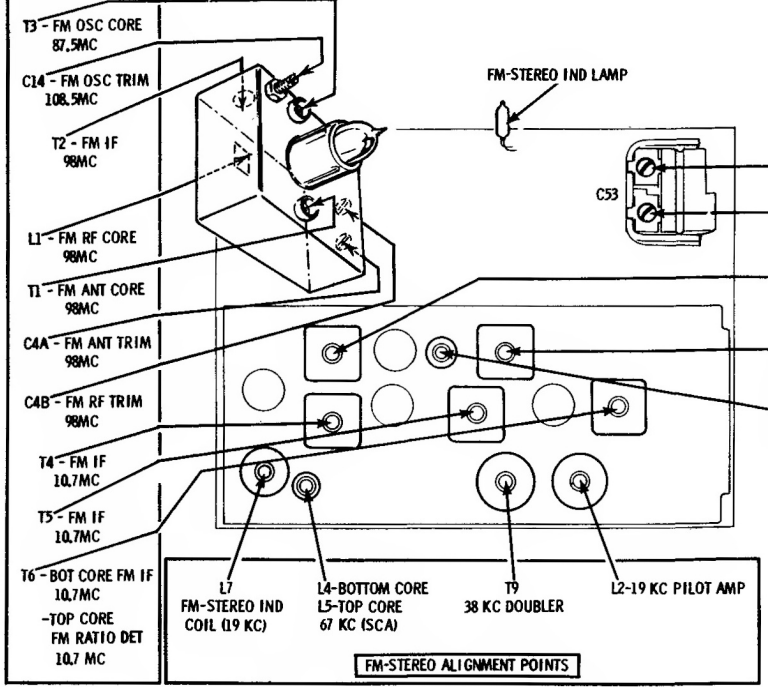
These models are three-channel Stereophonic consoles. SK versions use HS-1186 pre-amp chassis which is very similar to HS-1137 (on page 75); SKR versions use HS-1185 tuner which is very similar to HS-1138 (page 76); all versions use HS-1239 power amplifier, schematic diagram below.





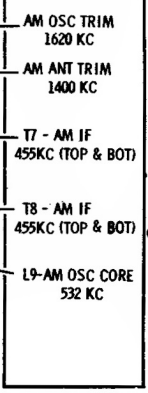
HS-1137 PRE-AMP SCHEMATIC DIAGRAM

FM ALIGNMENT POINTS



ALIGNMENT POINTS LOCATION

AM ALIGNMENT POINTS

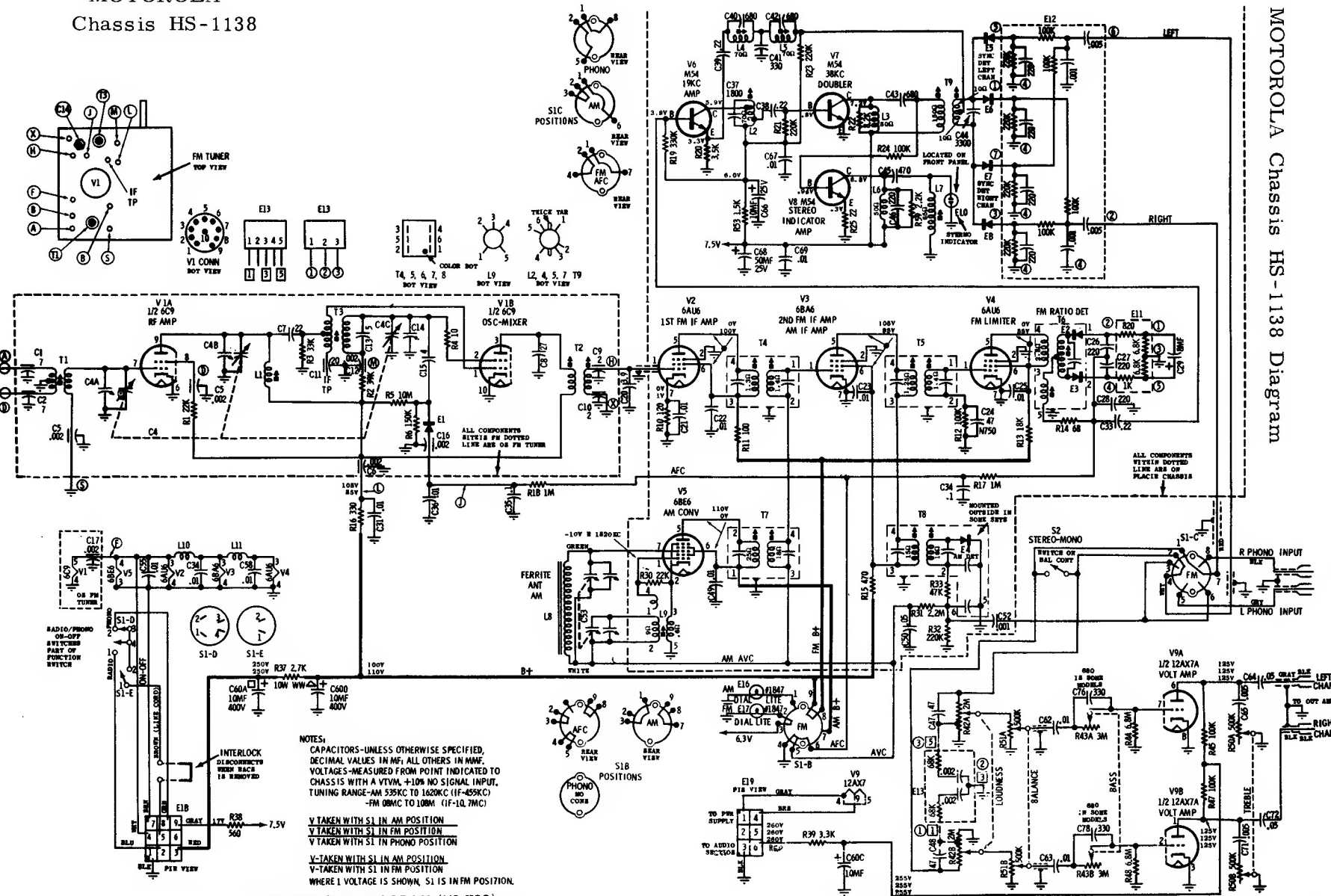


- TUNER CHASSIS (HS-1138)**
1. Remove back cover by removing screws and pulling cover back to disengage inter-lock plug.
 2. Remove record storage compartment by removing screw in bracket at bottom of storage compartment. Compress top edges of compartment to remove it.
 3. Disconnect cables, remove the chassis mounting screws and lift chassis out. Power amp chassis can be removed by removing screws holding chassis to cabinet bottom and lifting chassis out. Be sure all cables are disconnected before removing chassis.

- CHASSIS REMOVAL**
Pre-Amp (HS-1137)
1. Remove control knobs.
 2. Remove back cover by removing screws.
 3. Remove record storage compartment by removing its bezel and then compressing top edges.
 4. Remove 4 hex nuts and 1 machine screw located next to loudness control.
 5. Pull pre-amp down and disconnect any leads if necessary.

MOTOROLA
Chassis HS-1138

MOTOROLA Chassis HS-1138 Diagram



SCHMATIC DIAGRAM (HS-1138)